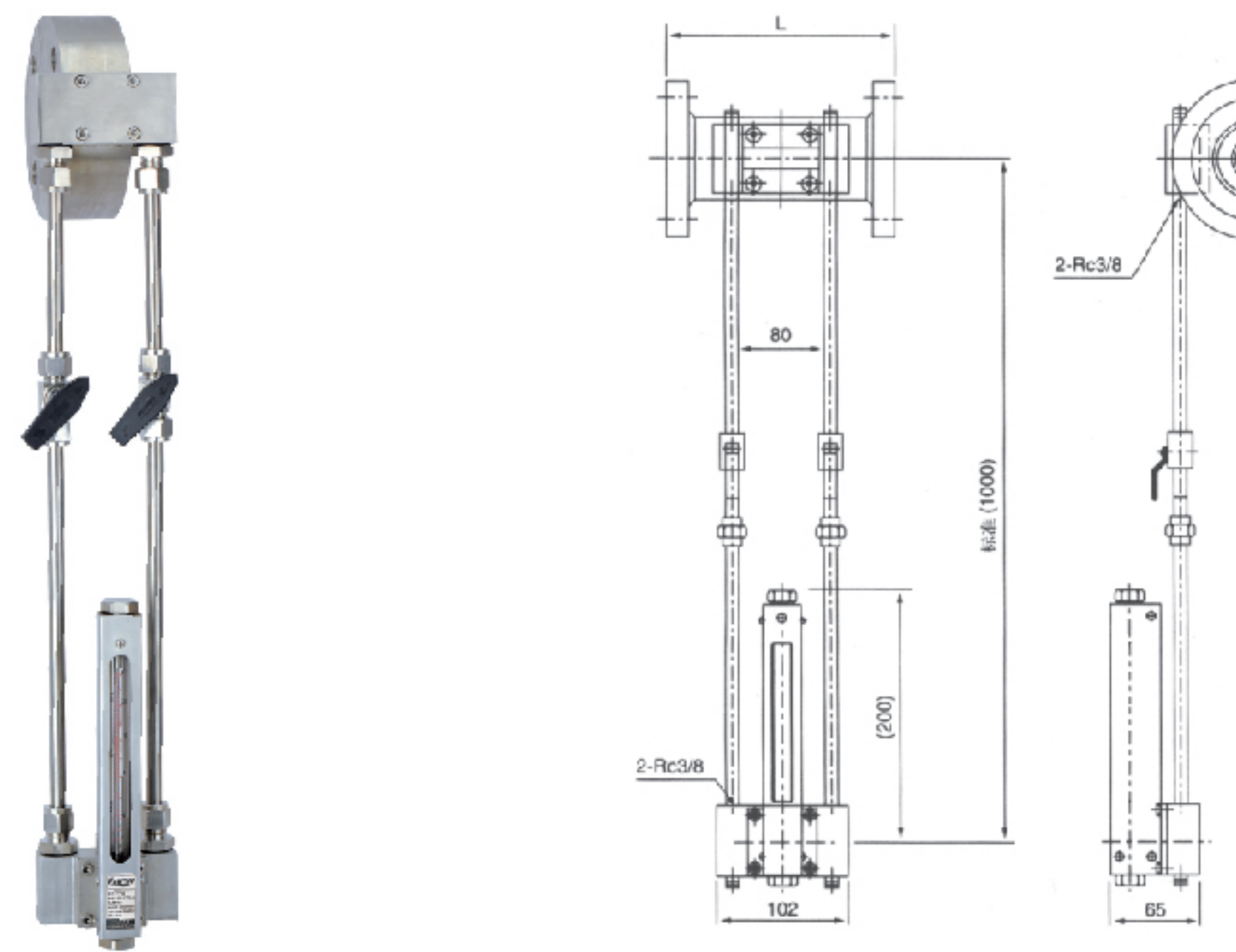


KF600-AD Series Remote Type Orifice Plate Type Rotameter

From DN10 to DN600, easy installation and maintenance



KF600-AD Series Remote Type Orifice Plate Type Rotameter is an integrated orifice-diverted flowmeter, with the float flowmeter mounted beside the main pipe and combined as one unit with the diversion orifice plate. As fluid flows through the orifice, a differential pressure develops across it, causing part of the fluid to flow through the bypass, which then pushes the float in the glass tube, indicating the flow rate in the main pipe.

SPECIFICATIONS	
Pipe Size	DN10 - DN600
Accuracy	±3%
Temperature Rating	POM: 0°C to 100°C; 304 Stainless Steel: 0°C to 120°C; PVC: 0°C to 60°C
Pressure Rating	Less than 1MPa
Process Connection	Remote Type

FEATURES

- Low pressure loss
- Strong anti-clogging and wear resistance
- Bypass branch can be independently cleaned or replaced, convenient maintenance
- Wide turndown ratio and high precision
- Suitable for a variety of industrial applications
- High cost-effectiveness

APPLICATIONS

- Petrochemical Industry
- Metallurgical Industry
- Textile Industry
- Pharmaceutical Industry
- Semiconductor Industry
- Food and Beverage Industry
- Paper and Pulp
- Power Plants
- Urban Water Supply and Drainage
- Environmental Protection
- New Energy Industry
- Shipbuilding Industry

MODEL CHART

Example	KF600	-AD	-50	-1	-L	-0.8	-POM	-1	-1	-1	
Series	KF600										Remote Type Orifice Plate Type Rotameter
Connection		AD									Remote Type
Pipe Size			10								DN10, 3/8", Range: Water: 0.1m³/h - 0.5m³/h, Air: 0.8Nm³/h - 4Nm³/h
			15								DN15, 1/2", Range: Water: 0.2m³/h - 1m³/h, Air: 2Nm³/h - 10Nm³/h
			20								DN20, 3/4", Range: Water: 0.5m³/h - 2.5m³/h, Air: 5Nm³/h - 25Nm³/h
			25								DN25, 1", Range: Water: 1m³/h - 5m³/h, Air: 8Nm³/h - 40Nm³/h
			32								DN32, 1-1/4", Range: Water: 1.4m³/h - 7m³/h, Air: 12Nm³/h - 60Nm³/h
			40								DN40, 1-1/2", Range: Water: 2m³/h - 10m³/h, Air: 18Nm³/h - 90Nm³/h
			50								DN50, 2", Range: Water: 4m³/h - 20m³/h, Air: 35Nm³/h - 175Nm³/h
			65								DN65, 2-1/2", Range: Water: 7m³/h - 35m³/h, Air: 60Nm³/h - 300Nm³/h
			80								DN80, 3", Range: Water: 10m³/h - 50m³/h, Air: 80Nm³/h - 400Nm³/h
			100								DN100, 4", Range: Water: 18m³/h - 90m³/h, Air: 160Nm³/h - 800Nm³/h
			125								DN125, 5", Range: Water: 25m³/h - 125m³/h, Air: 250Nm³/h - 1250Nm³/h
			150								DN150, 6", Range: Water: 40m³/h - 200m³/h, Air: 350Nm³/h - 1700Nm³/h
			200								DN200, 8", Range: Water: 70m³/h - 350m³/h, Air: 600Nm³/h - 2800Nm³/h
			250								DN250, 10", Range: Water: 100m³/h - 500m³/h, Air: 900Nm³/h - 5000Nm³/h
			300								DN300, 12", Range: Water: 180m³/h - 900m³/h, Air: 1600Nm³/h - 7800Nm³/h
			350								DN350, 14", Range: Water: 200m³/h - 1000m³/h, Air: 2000Nm³/h - 9500Nm³/h
		400								DN400, 16", Range: Water: 300m³/h - 1500m³/h, Air: 3000Nm³/h - 14500Nm³/h	
		450								DN450, 18", Range: Water: 400m³/h - 2000m³/h, Air: 4000Nm³/h - 19000Nm³/h	
		500								DN500, 20", Range: Water: 500m³/h - 2500m³/h, Air: 5000Nm³/h - 24000Nm³/h	
		600								DN600, 24", Range: Water: 600m³/h - 3000m³/h, Air: 6000Nm³/h - 30000Nm³/h	
Connection Material				1							POM Polyoxymethylene
					2						304 Stainless Steel
						3					PVC Polyvinyl Chloride
Medium					L						Liquid
					A						Gas
Working Pressure						xxx					Less than 1MPa
Working Temperature							xxx				POM: 0°C - 100°C; 304 Stainless Steel: 0°C - 120°C; PVC: 0°C - 60°C
Shut-off Valve									1		304 stainless steel shut-off valve
									2		PVC shut-off valve
									3		Without shut-off valve
Thread Type										1	DIN Standard
										2	American Standard (ANSI)
										3	Japanese Standard (JIS)
Indicator Material										1	All wetted parts of the small flow meter are made of 304 or 316 stainless steel
										2	All wetted parts of the small flow meter are made of PVC (optional photoelectric alarm switch)